

GK Basic +

version 2.2



User manual
11/2017

CE



Congratulations on your decision to purchase a GK Bathtub. You have acquired an Austrian quality product which will considerably ease the strain involved in patient care.

Due to their advanced ergonomic design, GK Bathtubs are simple and straightforward to use. In spite of that, we would ask you to study the instructions carefully before operating the bathtub. The detailed information contained in this manual will facilitate your practical work.

■ Contents

For your safety	3
Preparations for bathing	4
Components	5-7
Functions	8-10
Raising & Lowering of the tub	8
Setting the temperature	8
Shower	8
Filling the tub	9
Drain the tub	9
Disinfection	9
Flowmeter	9
Hydro massage	10
Fill in – On	10
Fill in – Off	10
Care & cleaning of the tub	11
Maintenance / Service	12
Intended use	13
Certificates, Standards & Regulations	13
Technical data	14
Identification plate	15
Transport, Storage, Recycling	15
Notes	16-18

■ For your safety

- Make certain that this bathing system is operated only by trained personnel.
- Always check the water temperature before the client enters the bathtub or when the shower spray is applied to the client.
- Make certain that the equipment is thoroughly cleaned after every use.
- Make sure that each client is assessed for it's ambulatory capability, ensuring the client's safety when entering and exiting the bathing system (utilize handgrips, correct entry height, correct client transferring device, etc.).
- When using disinfection, wear rubber gloves and eye protection. In case of eye or skin contact, follow the procedures on the disinfectant container and material safety data sheet.
- Always make sure that the device is supplied with power.
- Make sure that there are no materials right next to the tub to ensure a safe up and down movement. Disregarding this tip can cause bad injuries or damage the device.
- Don't deposit any things on the bathtub. Because of movement and vibrations, things can fall on the floor or in the tub.
- We want to point out that a lifting bathtub is a nursing tub and the bathing of the inhabitant has to be effected by use of a suitable lifter.
- Should no lift be used we recommend to furnish the bathtub with handles.

Note: *The safety rules and instructions in this operating manual must be observed in order to ensure safe and proper use of the equipment. Adjustments and repairs must be carried out by authorized and appropriately qualified persons. All claims under guarantee become void if these requirements are not met.*

■ Preparations for bathing

- If the drain knob isn't in the drain system put it back now.
- Put the pillow to the right position.
- If you are using a stretcher you don't have to apply the pillow.
- To fill the tub, move the inflow valve against the clockwise direction.
- Select a pleasant fill temperature.
- As soon as the water has achieved the desired level, help the client into the bathtub or bring the stretcher in the right position.
- Use the "UP" or "DOWN" buttons to bring the tub in a comfortable working height.
- If you want to use the shower at any time during the bath cycle, then move the shower valve against the clockwise direction and remove the white shower wand from its holder. To start showering press the black trigger.
- Now lower the tub and bring the client out of the water.
- Drain the tub.
- Before you start a new bath cycle you should clean the tub and go through the disinfection procedure.



■ Components

1. Disinfection
2. Shower
3. Stop-valve fill-in
4. Stop-valve shower
5. Fill-in
6. Thermostat mixing valve
7. Overflow
8. Hydro jets
9. Up/down-button
10. Drain
11. Adjustable foot
12. Hydro-button



- Fittings

- Disinfection with stop-valve



- Hydro-system

■ Functions

Raising & Lowering the tub

This tub allows caregivers to bathe clients in an ergonomic environment. Adjusting the tub to a comfortable working height enhances the bathing process. The "UP" and "DOWN" buttons are used to raise or lower the tub. The movement continues for as long as the button is pressed. When the button is released, the movement stops. In the upper and lower end positions the tub stops automatically.

Setting the temperature



You can set the temperature for tub fill and shower to any desired value, by turning the knob of the mixing valve.

Note:

For safety reasons the temperature is mechanically limited to 38 °C (standard mixer). To override this security appliance, press the red button on the knob. Now it's possible to reach a higher temperature. Use extreme caution when overriding the temperature.

The thermostatic mixer is adjusted at 3 bar flow pressure at both supplies. If you have different supply pressure it may be necessary to do a readjustment.

Shower



To use the shower move the shower valve against the clockwise direction and remove the white shower wand from its holder. Press and hold the black trigger directly on the white shower wand to begin showering. If you want to stop showering, close the valve, release the pressure from the hose by pressing the black trigger and remove the shower wand.

Filling the tub



Move the inflow valve against the clockwise direction to fill the tub. If the right amount of water is in the tub close the valve to stop the water flow.

Drain the tub



To open or close the drain, turn the chrome drain plug knob in the respective direction. We recommend to close the drain system when the inflow is active.

Disinfection

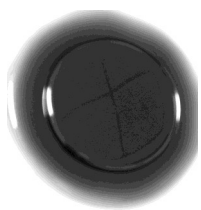


The bathtub should be disinfected only when the tub is empty. Move the disinfection valve against the clockwise direction and remove the red shower wand from its holder. When activated, an accurately measured amount of disinfectant is directed into the wand for optimum disinfection and cleaning. Press and hold the black trigger directly on the red shower wand and spray all internal tub surfaces. Remove the red shower into its holder and close the disinfection valve. After the prescribed contact time use the white shower wand to rinse the interior tub surfaces thoroughly. For cleaning, maximum temperature should be selected.

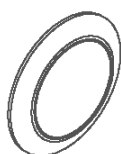
Flowmeter



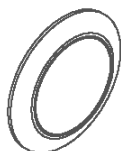
The flowmeter is used to adjust the mixture ratio between water and disinfectant. The table next to it should help you to find the right values. Always follow the instructions of the liquid manufacturer. Generally the flowmeter setting should be done when you install the tub.

Hydro massage

This therapy is only available with completely filled tub. As soon as the tub is filled, you can start the therapy by pressing the button on the side of the tub. With the first pressing of the button you start the Hydro-jets. If you want to stop the therapy you have to press the button again.

Fill in – On

To activate the fill in press the chromed button, which is labelled with **"On"**. Water will start coming out of the fill in spout. On a preset fill-level water flow will stop automatically. If more water is needed, use the shower to add more water.

Fill in – Off

To deactivate the fill in press the chromed button, which is labelled with **"Off"**. Water flow will stop immediately.

■ Care & Cleaning of the tub

Any product used to clean or disinfect your GK bath must be free from any abrasive, alcohol & corrosive ingredients. Never use any kind of customary glass cleansers, solvents (e.g. acetone) or similar detergents or dilutions. Never use harsh or pointed utensils, e.g. rough clothes, scrubbing sponges, scouring pads or any tools. If you are in any doubt about your usual cleaning products please contact your GK representative before use.

Note: Any damage caused by unapproved / unsuitable products will not be covered by the manufacturer's warranty.

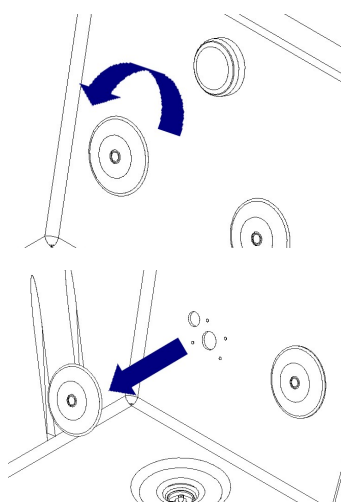
For cleaning, after use always rinse the bath tub thoroughly with the shower hose. Any dirt which adheres to the bathtub surfaces must be removed with a soft sponge or cloth and, if necessary, customary detergents (besides the above mentioned restrictions). Always clean the plastic parts wet or damp but never dry.

We recommend using our approved shampoo and bath additive products with your GK bath. Other products may cause more persistent dirt being harder to clean.

We also recommend for you to polish the white bath tub body once a month with car polish cream. This will give the bathtub a smooth, water repellent surface and will make routine cleaning considerably easier - it will also enhance the appearance of your GK bath.

A disinfection cycle should always be performed after cleaning.

Where fitted, the hydromassage jet coverings should also be cleaned & disinfected (see pictures).



To do that, unscrew the jet cover anti-clockwise. Now clean the cover, the inlet aperture and the outlet aperture thoroughly.

Re-assemble the jet cover by rotating it clockwise.

Note: Do not use excessive force!

If you have any further questions or require more information please contact your local GK representative, who will be happy to advise.

■ Maintenance

- Check the hoses, tubes and connections from time to time.
- Make certain that the disinfectant container is monitored.
- We recommend that you take advantage of our maintenance service and request a safety and functional check every 12 months.
- Adjustments and repairs must be carried out by authorized and appropriately qualified persons.
- Check if there are any cracks or other damages on the tub body.
- Check the sieves of the shower wands and clean them if necessary.
- When servicing the bathtub the unit must be unplugged and switched off.

■ Service

At least **once a year** a service or safety inspection in accordance with Medical Device Directive (MDD) is mandatory.

- Remember that GK service is unmatched in quality and also with regards to warranty issues. GK will only consider itself liable for safety-related matters if maintenance, repairs, modifications etc. are exclusively carried out by our service team or by agents authorized by us.

In the event of problems occurring, clear and detailed information about symptoms, type and serial number (see type plate) will help us to respond promptly.

■ Intended use

Bathing system for bathing patients with restricted mobility. The bathing system is mainly used in care institutes, to a lesser degree also on hospital wards. It is used in a professional environment by trained and competent personnel.

■ Certificates, Standards & Regulations

The bathtub complies with the essential requirements pursuant to Appendix I of the Medical Device Directive 93/42/EEC.

In accordance with the classification regulations pursuant to Appendix IX of the Medical Device Directive 93/42/EEC, the bathtub is a Class I medical device.



ISO 9001

Our production is subject to a quality management system according to ISO 9001.



CE mark

The CE mark has been affixed as proof of its compliance with the legal requirements of Appendix I of the Medical Device Directive 93/42/EEC.

■ Technical data

- Bathtub **GK Basic+**:

- Voltage: AC 230 V / AC 115 V
- Frequency: 50 Hz / 60 Hz
- Power consumption: 320 VA
- Fuses: 6,3 A time-delay
15 A time-delay

- Protection class: I (connection of protective earth conductor necessary) or II (see identification plate on the bathtub)
- Degree of protection: IPX4
- Protection type: Type B 

- Lifting weight: 500 kg
- Lifting height: 250 mm

- Maximum length: 1950 mm
- Maximum width: 830 mm
- Maximum height: 940-1190 mm

- Duration of warranty 2 years
(besides wear parts)

- Classification according to MDD 93/42/EEC: **Class I**

■ Identification plate



Identification plate

This plate give you some information's about the Product, for instance type, production date, serial number,...

■ Transport, Storage, Recycling

Operating conditions

Max ambient temperature: 40 °C
Max relative humidity: 80 % not condensed at 20 °C
Atmospheric pressure range: 500 hPa to 1060 hPa

Transport and Storage

Ambient temperature range: -20 °C to 60 °C
Relative humidity range: 80 % not condensed at 20 °C
Atmospheric pressure range: 500 hPa to 1060 hPa

Recycling

Package: Wood and corrugated cardboard, recyclable
Product: Electric, steel and plastic parts shall be separated and recycled

■ Notes

■ **Notes**

■ Notes



Georg Krämer Ges.m.b.H. & Co. KG

A-4061 Pasching
Neuhauserweg 14

Tel. +43 / (0) 7229 / 64450
Fax +43 / (0) 7229 / 70664
service@gk-medizinmechanik.at
www.gk-medizinmechanik.at